



US00D625631S

(12) **United States Design Patent**
Ben-Josef et al.

(10) **Patent No.:** **US D625,631 S**

(45) **Date of Patent:** **** Oct. 19, 2010**

(54) **SINGLE SIDED SPIRIT LEVEL**

(57) **CLAIM**

(75) Inventors: **Rafi Ben-Josef**, Bikat Beit Hakerem (IL); **Shahar Harari**, Tel Avi (IL); **Yossi Palatshe**, Tiberias (IL); **Amy Levinson**, D. N. Upper Galilee 1 (IL)

The ornamental design for a single sided spirit level, substantially as shown and described.

DESCRIPTION

(73) Assignee: **Kapro Industries, Ltd.** (IL)

FIG. 1 is a front perspective view of a single sided spirit level including a main body, a central horizontal bubble vial housing, a left handgrip, a right handgrip, a left end cap, a right end cap and a left side vertical bubble vial housing;

(**) Term: **14 Years**

FIG. 2 is a front elevation view of the spirit level of FIG. 1;

(21) Appl. No.: **29/347,741**

FIG. 3 is a top plan view of the spirit level of FIG. 1;

(22) Filed: **May 5, 2010**

FIG. 4 is a left elevation view of the spirit level of FIG. 1.

(51) **LOC (9) Cl.** **10-04**

FIG. 5 is a bottom plan view of the spirit level of FIG. 1;

(52) **U.S. Cl.** **D10/69**

FIG. 6 is a rear elevation view of the spirit level of FIG. 1;

(58) **Field of Classification Search** D10/69;
33/365, 366.11-366.27, 367-391

FIG. 7 is right elevation view of the spirit level of FIG. 1;

See application file for complete search history.

FIG. 8 is a close up front perspective view of the central horizontal bubble vial housing of the spirit level of FIG. 1;

(56) **References Cited**

FIG. 9 is a close up front elevation view of the central horizontal bubble vial housing of FIG. 8;

U.S. PATENT DOCUMENTS

FIG. 10 is a close up front perspective view of the left end cap of the spirit level of FIG. 1;

2,453,091	A	11/1948	Holloway et al.	
D348,619	S *	7/1994	Hansen	D10/69
D360,371	S *	7/1995	O'Hare et al.	D10/69
D365,768	S *	1/1996	Rodriguez	D10/69

FIG. 11 is a close up front elevation view of the end cap of FIG. 10;

FIG. 12 is a close up front perspective view of a handgrip of the spirit level of FIG. 1; and,

(Continued)

FIG. 13 is a close up front elevation view of the handgrip of FIG. 12.

OTHER PUBLICATIONS

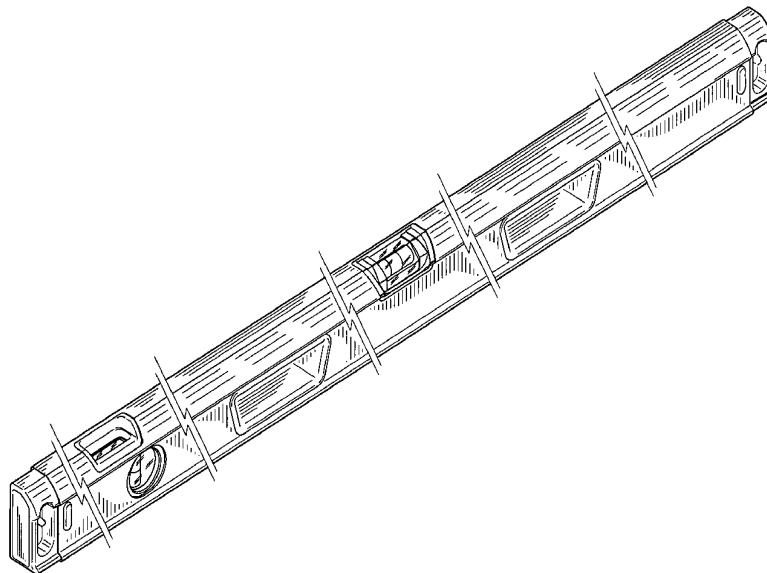
Kapro Industries LTD I-Beam Levels Products Page, *Kapro Industries Ltd.*, available at http://www.kapro.com/SubCat.asp?parent=2&cat_id=8, on Aug. 16, 2010, 1 page.

The broken lines along the main body of the spirit level in FIGS. 1, 2, 4, 5 and 6 indicate that the lengths between the horizontal bubble vial housing and its adjacent handgrips, an end cap and its adjacent handgrip, and the left end cap and the left side vertical bubble vial housing can vary from the lengths shown in FIG. 1 according to the overall length of the spirit level; the broken lines form no part of the claimed design.

Primary Examiner—Antoine D Davis

(74) *Attorney, Agent, or Firm*—Hershkovitz & Associates, LLC; Harold L. Novick

1 Claim, 6 Drawing Sheets



US D625,631 S

Page 2

U.S. PATENT DOCUMENTS					
D459,251	S	6/2002	Scheyer	D526,224	S 8/2006 Kim
6,418,634	B1	7/2002	Szumer	7,228,637	B2 6/2007 Kim
D468,221	S	1/2003	Greaves et al.	D546,214	S * 7/2007 Schwartz et al. D10/69
D479,139	S	9/2003	Kallabis et al.	D555,523	S 11/2007 Nickel et al.
D498,152	S	11/2004	Hickey	D563,808	S * 3/2008 Schwartz et al. D10/69
D503,636	S *	4/2005	Kim D10/69	D573,908	S 7/2008 Levinson
D513,391	S	1/2006	Kim	D598,308	S 8/2009 Gofer
D518,745	S	4/2006	Kim	D598,309	S 8/2009 Gofer
D518,746	S	4/2006	Kim	D607,351	S 1/2010 Gofer
D521,399	S	5/2006	Johnson et al.	2005/0039341	A1 2/2005 Hickey

* cited by examiner

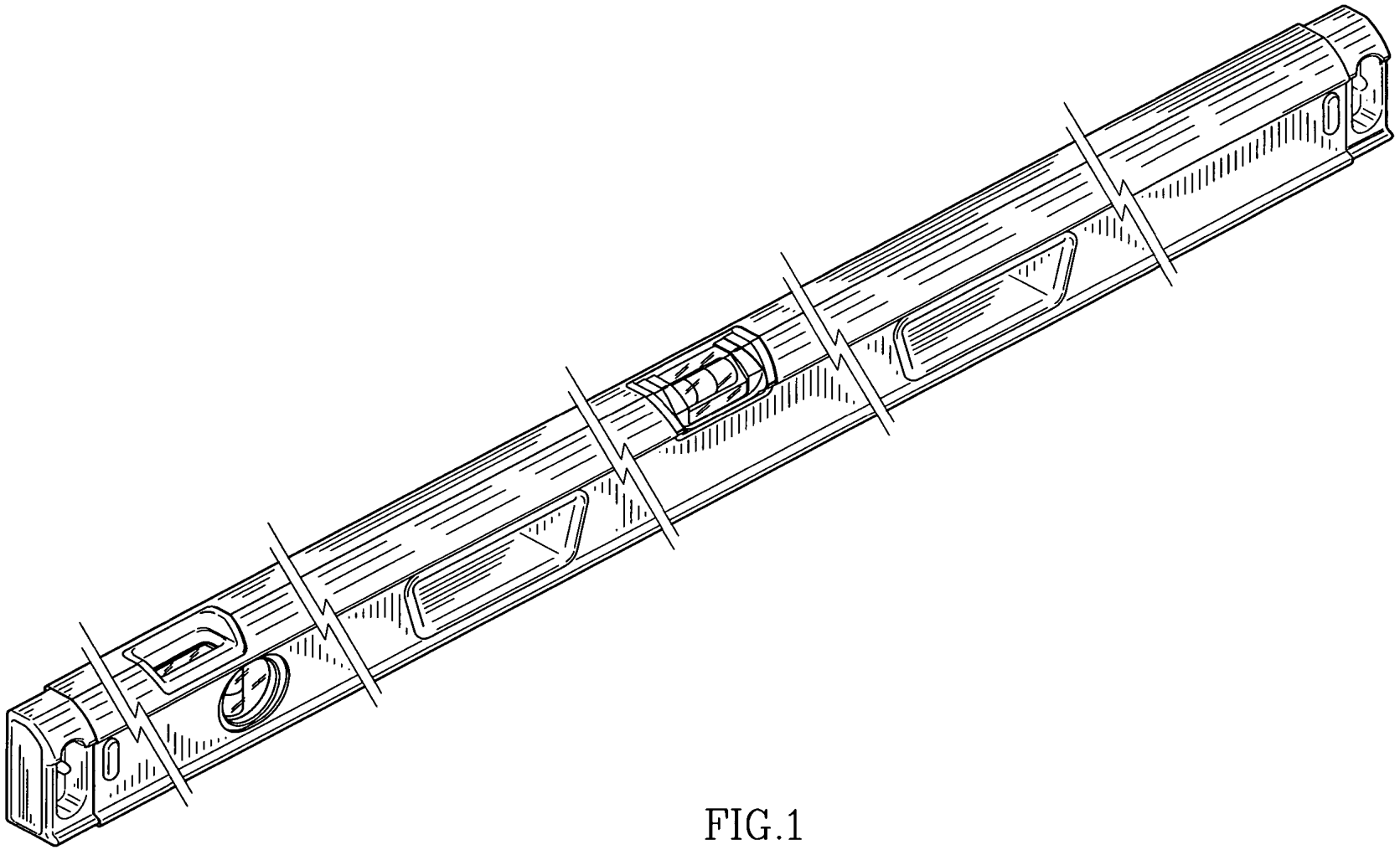


FIG.1

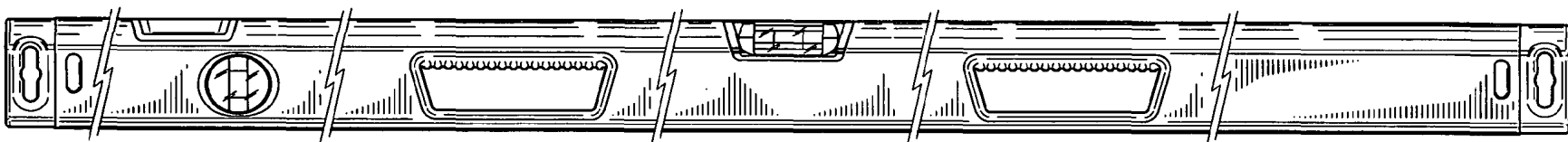


FIG. 2

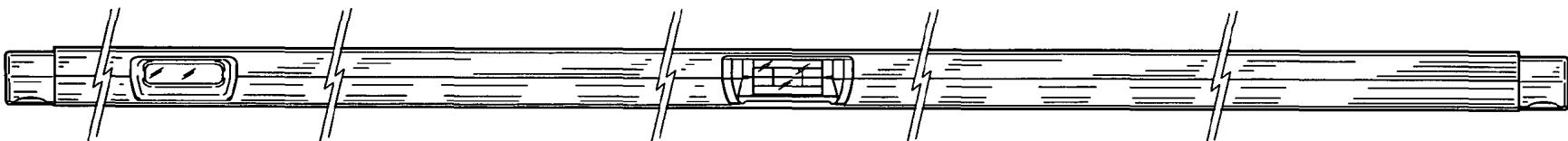


FIG. 3



FIG. 4

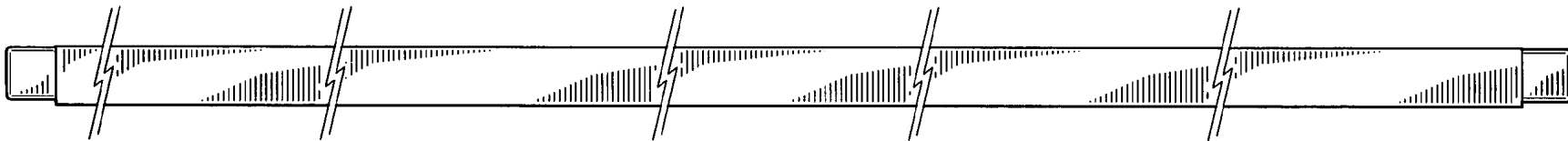


FIG. 5

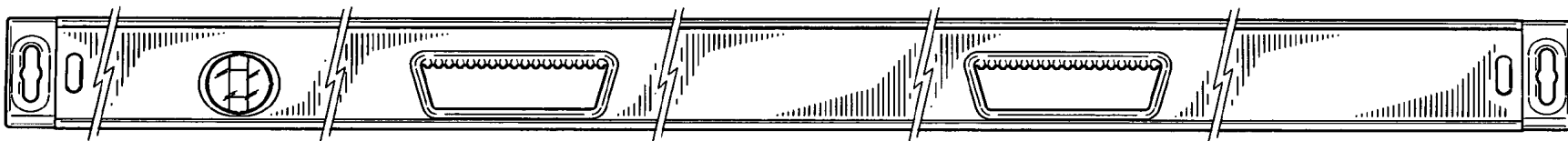


FIG. 6

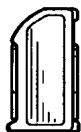


FIG. 7

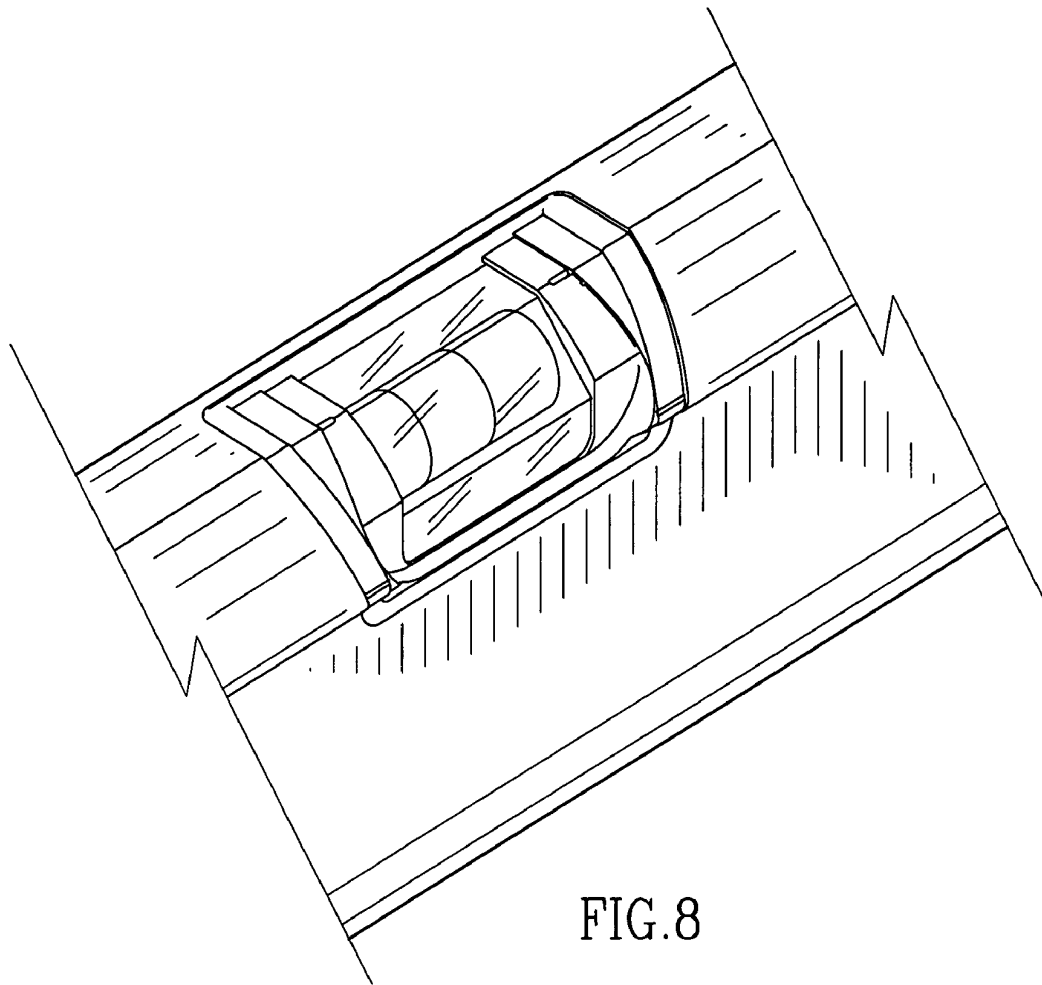


FIG. 8

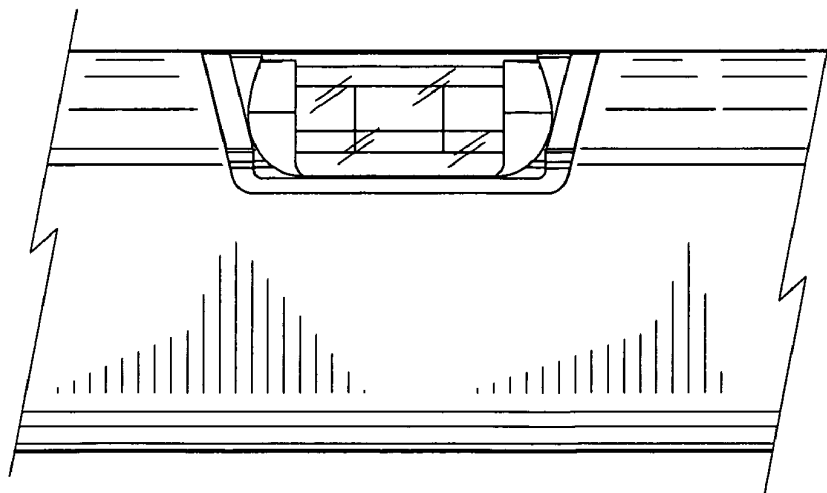


FIG. 9

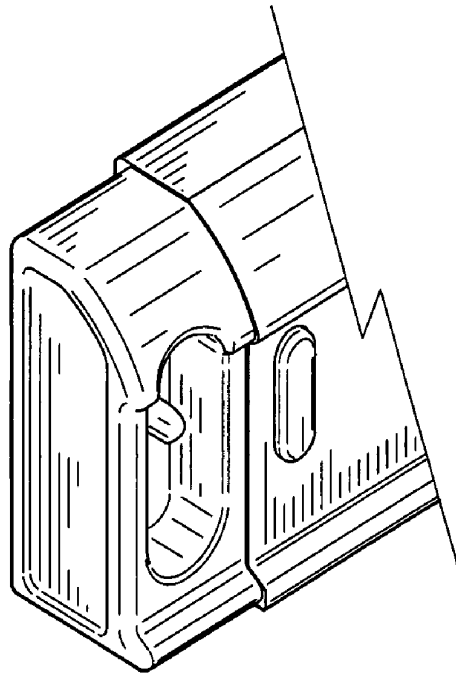


FIG. 10

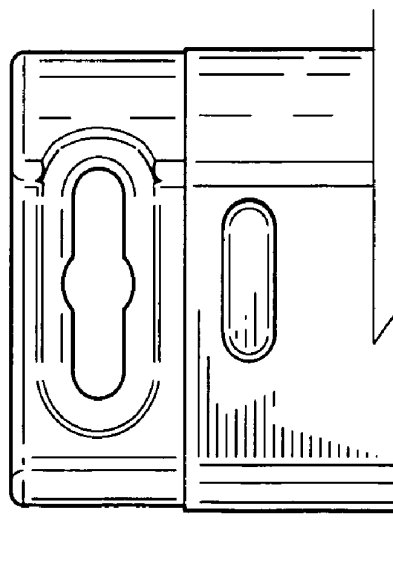


FIG. 11

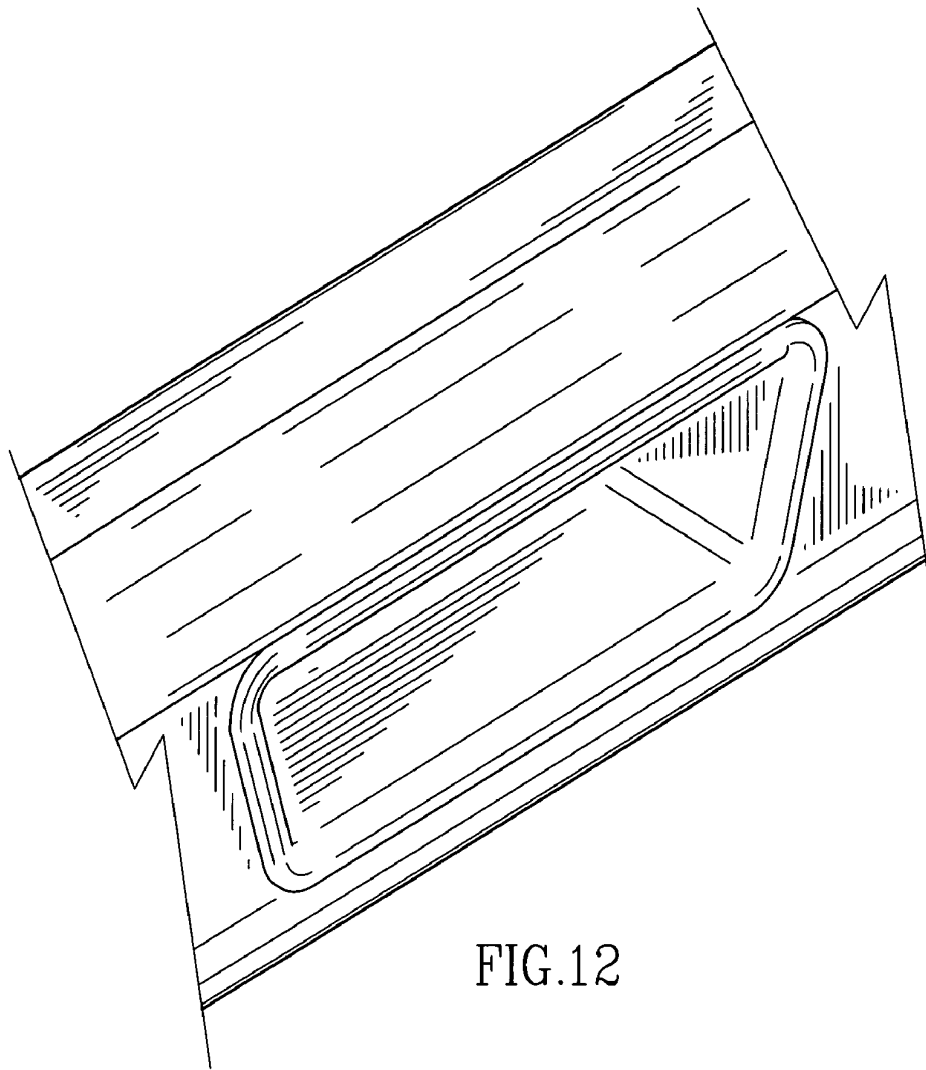


FIG. 12

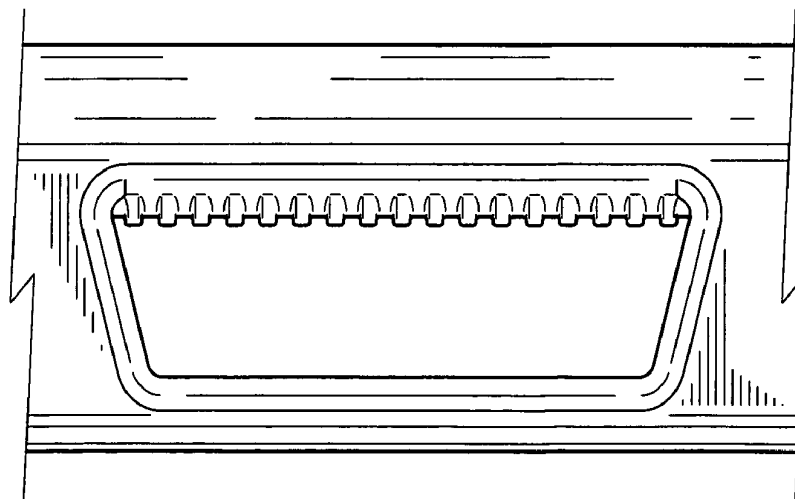


FIG. 13