



US00D704577S

(12) **United States Design Patent**
Levinson

(10) **Patent No.:** **US D704,577 S**

(45) **Date of Patent:** **** May 13, 2014**

- (54) **TORPEDO SPIRIT LEVEL**
- (71) Applicant: **Kapro Industries Ltd.**, Beit Hakerem (IL)
- (72) Inventor: **Amy Levinson**, Upper Galilee (IL)
- (73) Assignee: **Kapro Industries Ltd.**, Kadarim (IL)

D521,882 S	5/2006	Kim	
7,152,335 B2	12/2006	Nichols	
D582,302 S	12/2008	Johnson et al.	
D597,872 S	8/2009	Gofer	
D597,873 S	8/2009	Gofer	
D625,630 S	10/2010	Levinson	
D644,946 S *	9/2011	Silberberg D10/69
D694,659 S *	12/2013	Yong et al. D10/69

(**) Term: **14 Years**

(21) Appl. No.: **29/440,364**

(22) Filed: **Dec. 20, 2012**

(51) **LOC (10) Cl.** **10-04**

(52) **U.S. Cl.**
USPC **D10/69**

(58) **Field of Classification Search**
USPC D10/69; 33/365, 366.11-366.27,
33/367-391

See application file for complete search history.

FOREIGN PATENT DOCUMENTS

GB	2210167 A	6/1989
GB	2259570 A	3/2012

* cited by examiner

Primary Examiner — Antoine D Davis
(74) *Attorney, Agent, or Firm* — Novick, Kim & Lee, PLLC;
Harold L. Novick

(57) **CLAIM**

The ornamental design for a torpedo spirit level, substantially as shown and described.

DESCRIPTION

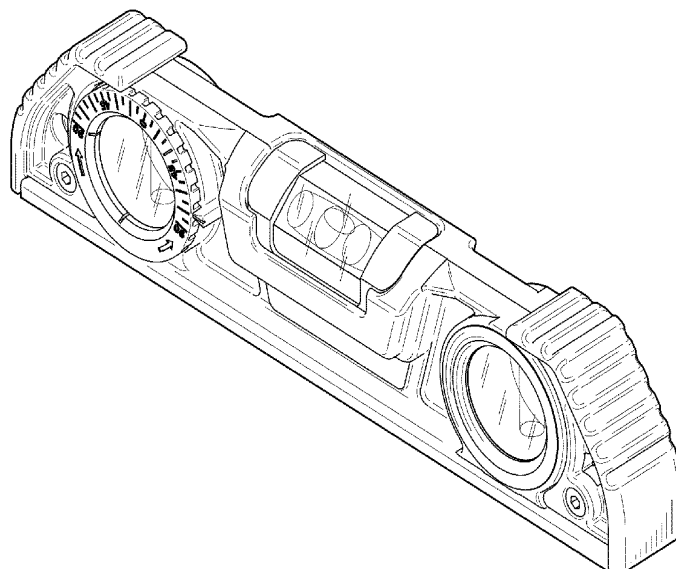
FIG. 1 is a front perspective view of a torpedo spirit level;
FIG. 2 is a front elevation view of the torpedo spirit level of FIG. 1;
FIG. 3 is a rear elevation view of the torpedo spirit level of FIG. 1;
FIG. 4 is a top plan view of the torpedo spirit level of FIG. 1;
FIG. 5 is a bottom plan view of the torpedo spirit level of FIG. 1;
FIG. 6 is a left elevation view of the torpedo spirit level of FIG. 1; and,
FIG. 7 is a right elevation view of the torpedo spirit level of FIG. 1.

1 Claim, 5 Drawing Sheets

(56) **References Cited**

U.S. PATENT DOCUMENTS

3,225,451 A	12/1965	Olexon et al.	
3,878,617 A	4/1975	West et al.	
4,068,386 A	1/1978	Streeter	
4,109,392 A	8/1978	Streeter	
D332,226 S	1/1993	Hutchins et al.	
D415,436 S	10/1999	Martone	
6,243,957 B1	6/2001	Gruetzmacher, Jr. et al.	
D469,370 S	1/2003	Gruetzmacher et al.	
D472,168 S	3/2003	Levinson	
6,568,095 B2	5/2003	Snyder	
D498,686 S *	11/2004	Levinson et al. D10/69
D503,635 S	4/2005	Kallabis	
D513,198 S	12/2005	Levinson	



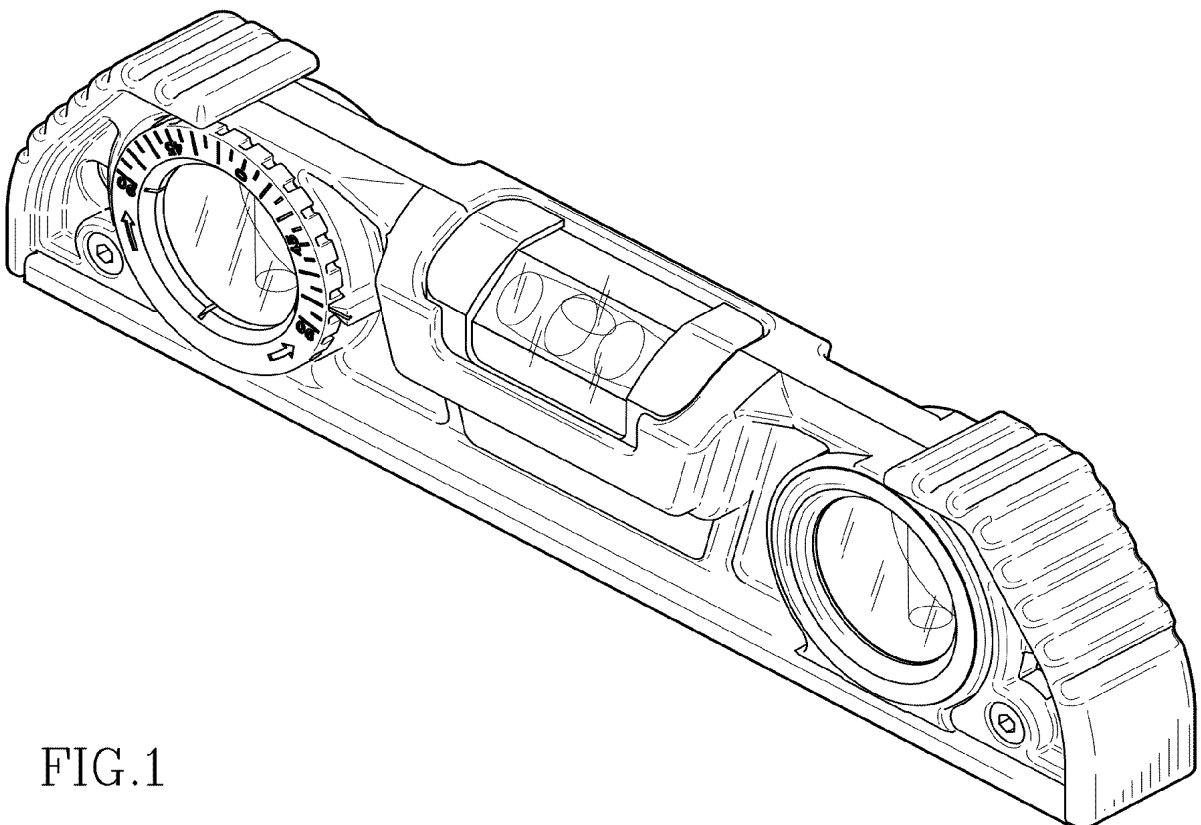


FIG.1

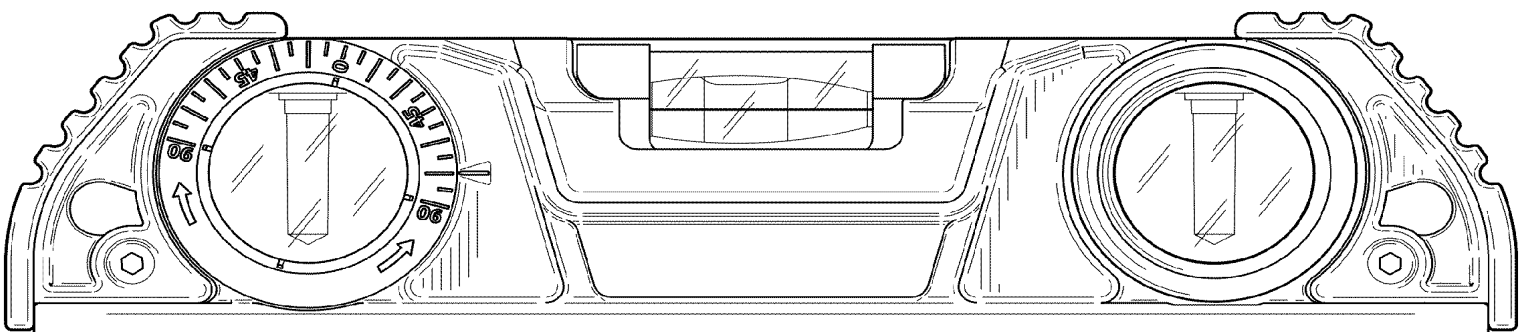


FIG.2

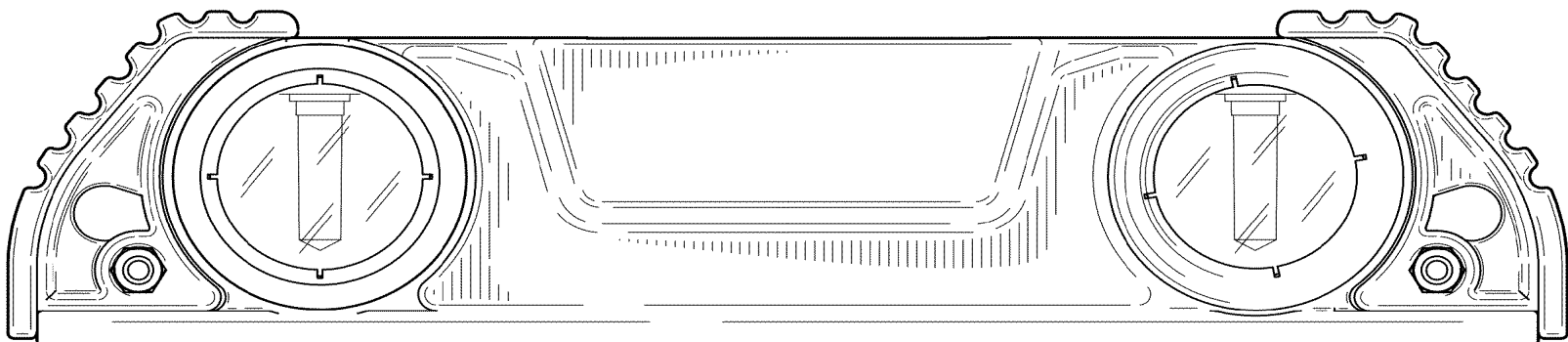


FIG. 3



FIG. 4

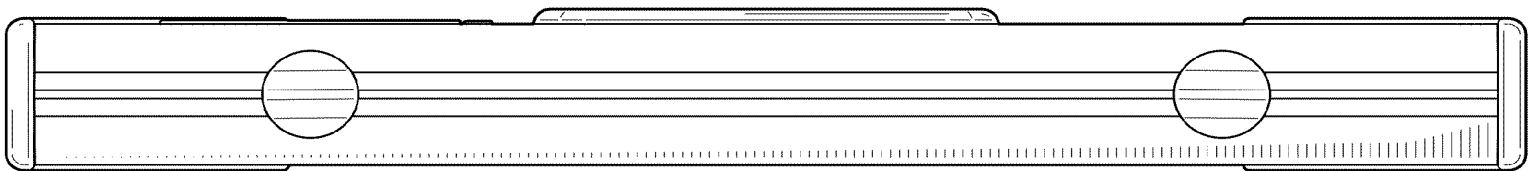


FIG. 5

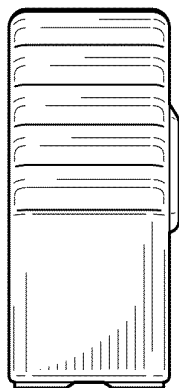


FIG. 6

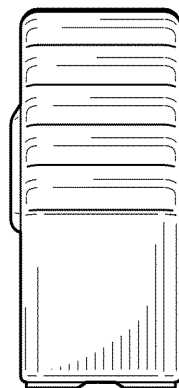


FIG. 7