



US00D730208S

(12) **United States Design Patent**
Ben Josef et al.

(10) **Patent No.:** **US D730,208 S**
(45) **Date of Patent:** **** May 26, 2015**

(54) **MINI SPIRIT LEVEL**

6,568,095 B2 5/2003 Snyder
D495,263 S * 8/2004 Liao D10/69
D498,686 S 11/2004 Levinson et al.

(71) Applicant: **KAPRO INDUSTRIES LTD.**, Bikat Beit Hakerem (IL)

(Continued)

(72) Inventors: **Rafi Ben Josef**, Kibbutz Kadarim (IL);
Amy Levinson, Upper Galilee (IL);
Yossi Palatshe, Tiberias (IL); **Shahar Harari**, Tel Aviv (IL)

FOREIGN PATENT DOCUMENTS

GB 2210167 A 6/1989
GB 2259570 A 3/1993

OTHER PUBLICATIONS

(73) Assignee: **KAPRO INDUSTRIES LTD.**, Bikat Beit Hakerem (IL)

Bubble Vial Key Chain shown at: http://www.kapro.com/Product.asp?cat_id=28&parent=5&id=153.

(Continued)

(**) Term: **14 Years**

Primary Examiner — Antoine D Davis

(21) Appl. No.: **29/501,753**

(74) *Attorney, Agent, or Firm* — Novick, Kim & Lee, PLLC; Harold L. Novick

(22) Filed: **Sep. 8, 2014**

(51) **LOC (10) Cl.** **10-04**

(57) **CLAIM**

(52) **U.S. Cl.**

The ornamental design for a mini spirit level, substantially as shown and described.

USPC **D10/69**

(58) **Field of Classification Search**

CPC G01C 9/00–9/36

USPC D10/69; 33/365, 366.11–366.27,
33/367–391

See application file for complete search history.

DESCRIPTION

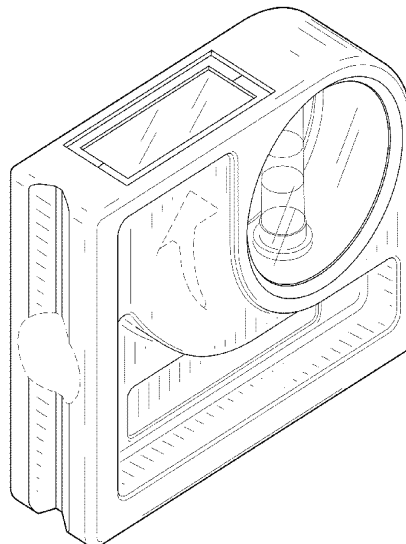
FIG. 1 is a front perspective view of a mini spirit level; FIG. 2 is a front elevation view of the mini spirit level of FIG. 1; FIG. 3 is left side elevation view of the mini spirit level of FIG. 1; FIG. 4 is a top plan view of the mini spirit level of FIG. 1; FIG. 5 is a rear elevation view of the mini spirit level of FIG. 1; FIG. 6 is a right side elevation view of the mini spirit level of FIG. 1; and, FIG. 7 is a bottom plan view of the mini spirit level of FIG. 1. The dashed lines of the circular magnets, shown in the left side elevation view and the bottom plan view, and of the arrows pointing towards the top surface of the mini spirit level, shown in the front and rear elevation views, form no part of the claimed design.

(56) **References Cited**

U.S. PATENT DOCUMENTS

3,225,451 A 12/1965 Olexson et al.
D222,723 S 12/1971 Ostrager
3,878,617 A 4/1975 De Jong et al.
4,068,386 A 1/1978 Streeter
4,109,392 A 8/1978 Streeter
D332,226 S 1/1993 Hutchins et al.
5,379,524 A * 1/1995 Dawson 33/768
D415,436 S 10/1999 Martone
6,243,957 B1 6/2001 Gruetzmacher, Jr. et al.
D469,370 S 1/2003 Gruetzmacher et al.
D472,168 S 3/2003 Levinson

1 Claim, 5 Drawing Sheets



(56)

References Cited

U.S. PATENT DOCUMENTS

D503,635 S 4/2005 Kallabis
D513,198 S 12/2005 Levinson
D521,882 S 5/2006 Kim
7,152,335 B2 12/2006 Nichols
D571,237 S * 6/2008 Hersey et al. D10/69
D572,157 S 7/2008 Steiner
D577,299 S * 9/2008 Hersey et al. D10/69
D582,302 S 12/2008 Johnson et al.
D597,872 S 8/2009 Gofer
D597,873 S 8/2009 Gofer

D625,630 S 10/2010 Levinson
D644,946 S 9/2011 Silberberg
D694,659 S 12/2013 Yong et al.
D704,577 S 5/2014 Levinson
2005/0155241 A1 7/2005 Scheyer

OTHER PUBLICATIONS

Images of Kapro's Handy Level (Model No. 246) as shown at:
<http://kapro.com/product/246-handy-level-10cm/>.
Images of Kapro's Mini Level (Model No. 245) as shown at: <http://kapro.com/product/245-mini-level-with-angle-finder/>.

* cited by examiner

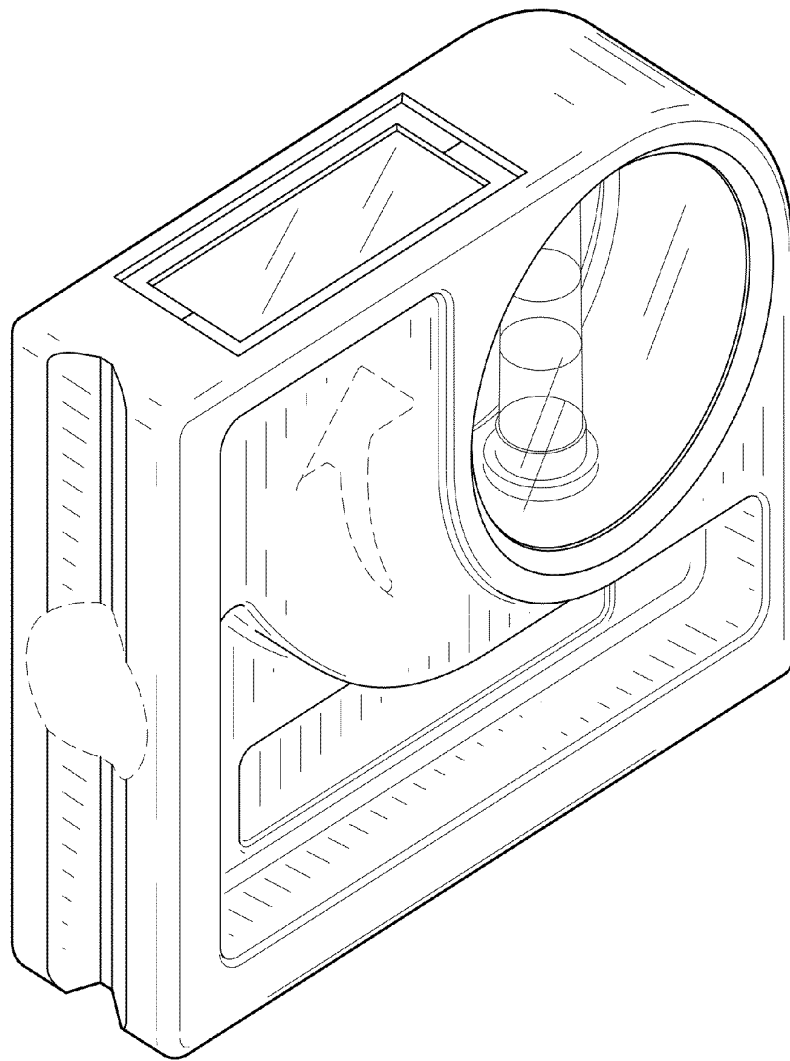


FIG.1

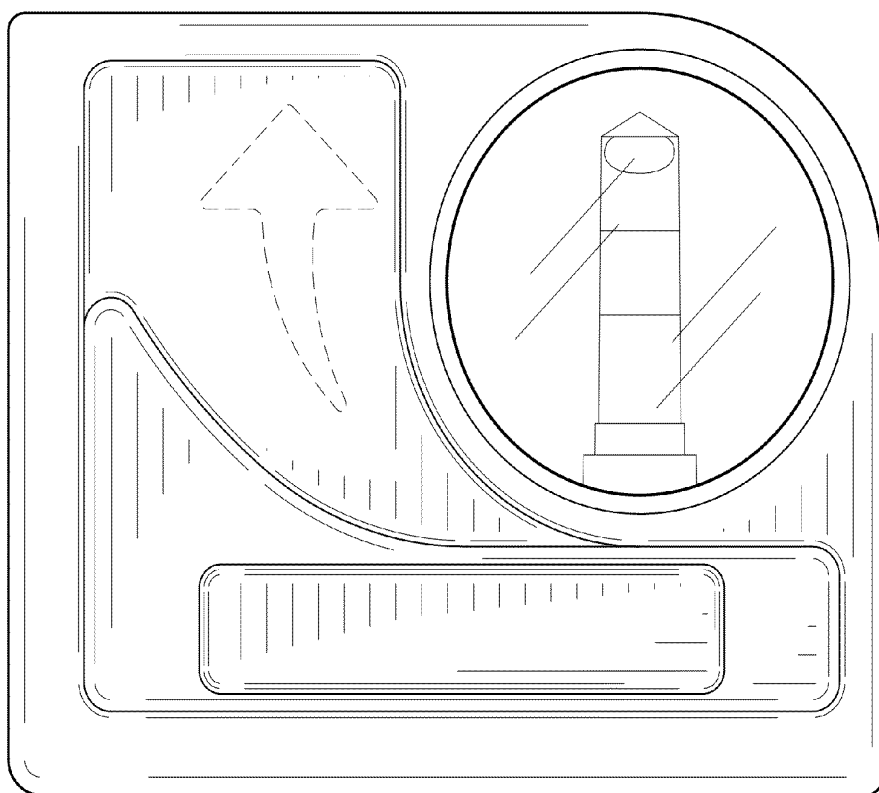


FIG.2

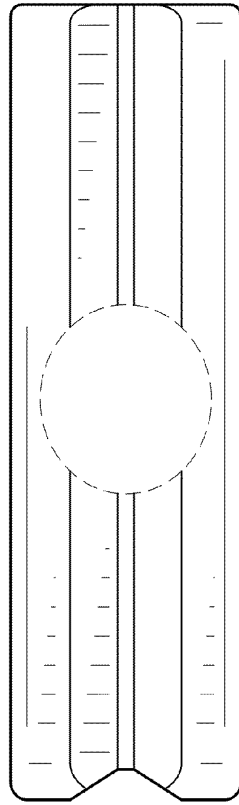


FIG. 3

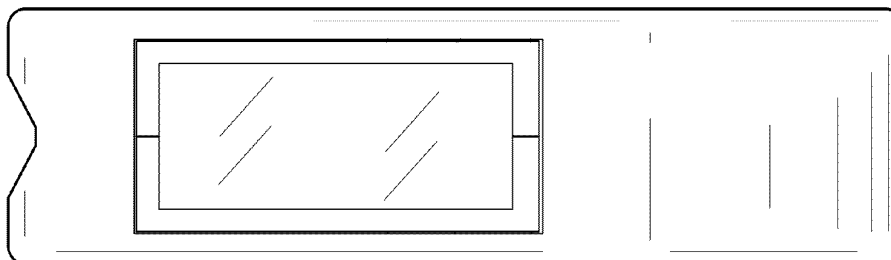


FIG. 4

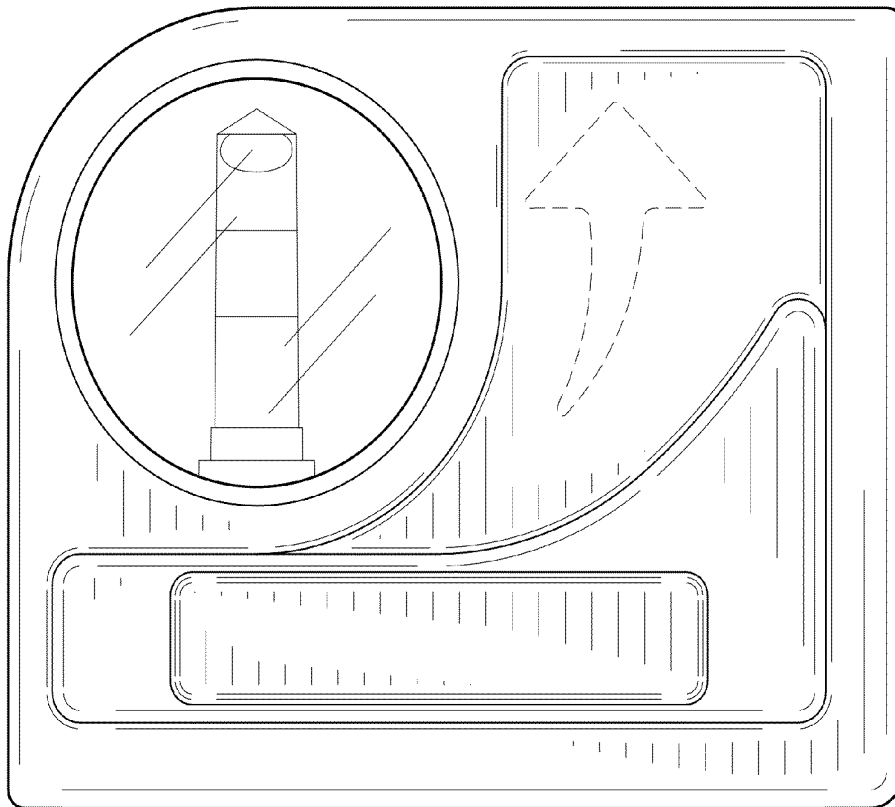


FIG. 5

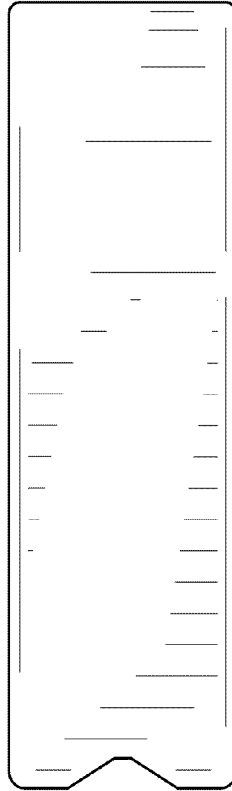


FIG. 6

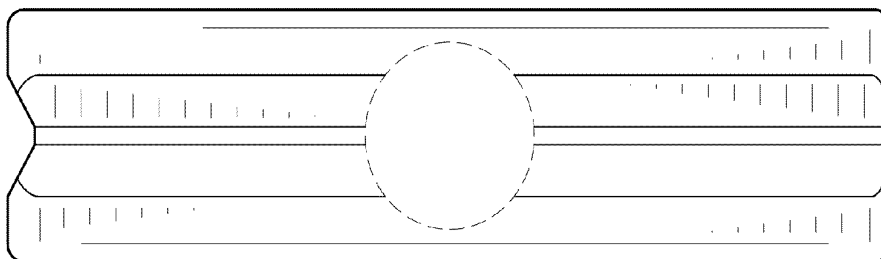


FIG. 7