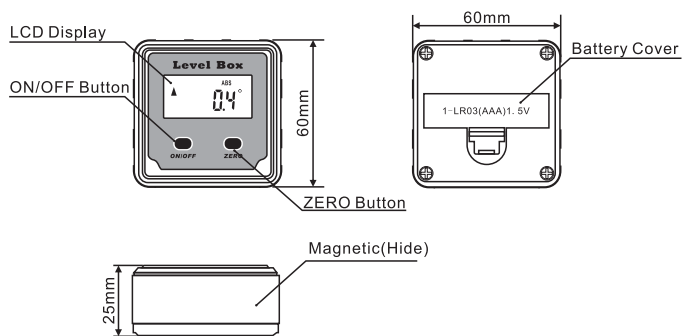


# USER MANUAL



## OVERVIEW



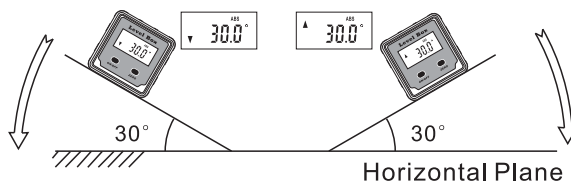
## BATTERY INSTALLATION

1. Press and release battery compartment cover
2. Insert the new battery following the polarity indication
3. Close the compartment with the cover

**NOTE** When not in use, remove the battery. This will prevent corrosion damage due to battery leakage.

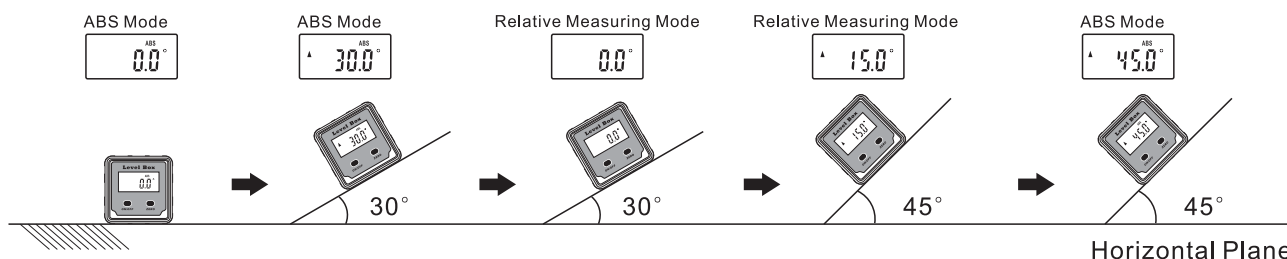
## OPERATING INSTRUCTIONS

1. Press the on/off button once to turn the unit on.
2. Check the LCD screen display to determine if it is in Absolute Measuring Mode (ABS) or in Relative Measurement Mode before proceeding.
- 3. Absolute Measuring Mode (ABS):**
  - To enter absolute mode and display the ABS symbol on the LCD screen, press the on/off button.
  - The absolute mode measures the angle between the horizontal plane and the current angle position.
- 4. Relative Measurement Mode:**
  - To enter the relative measurement mode and display the zero, press the zero button.
  - In relative measurement mode, the "ABS" symbol on the LCD screen will disappear.
  - Relative measurement mode allows you to measure the difference in angle between 2 objects.
5. The  $\blacktriangledown/\blacktriangle$  icons show which direction to adjust the surface to be leveled.



6. To turn off the Digi Pro, press the on/off button for 3 seconds.

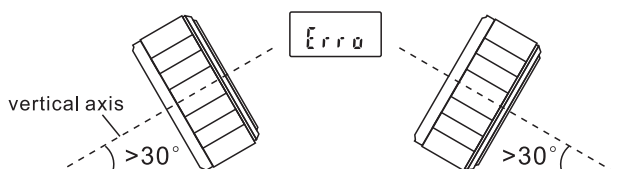
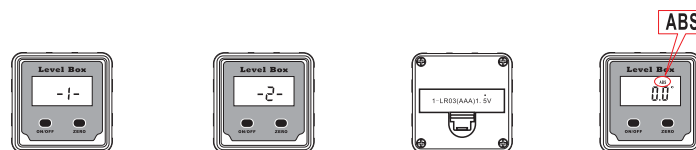
**NOTE** After approximately 5 minutes of inaction, the unit will automatically turn itself off.



## CALIBRATION

**NOTE** The Digi Pro has been pre-calibrated at the factory and should only be recalibrated if dropped.

1. Place the Digi Pro on a flat and smooth surface.
2. To activate the calibration mode, press the on/off and Zero button at the same time: "-1-" will be displayed on the LCD screen
3. Press the on/off button until the number changes on the screen. The display will flash briefly until the screen displays "-2-"
4. Rotate 180° on the same spot and press the on/off button. The display will flash briefly. Do not move until the level has completed the calibration.
5. Once the calibration is finished, the angle displayed on the unit will be the angle between the calibrated plane and the horizontal plane.



## LCD Screen Icons

ABS	
-1-	Digital level calibrating one direction
-2-	Digital level calibrating second direction
Err	Warning of vertical axis deviation
$\blacktriangle$	Adjust upward
$\blacktriangledown$	Adjust downward

## TECHNICAL SPECIFICATIONS

Accuracy	0° and 90°: $\pm 0.1^\circ$ , the rest $\pm 0.2^\circ$
Resolution	0.1°
Working Range	4 x 90°
Power Supply	1 X AAA alkaline battery
Working Temperature	0°C to 50°C (32°F to 122°F)
Working Humidity	$\leq 85\%$